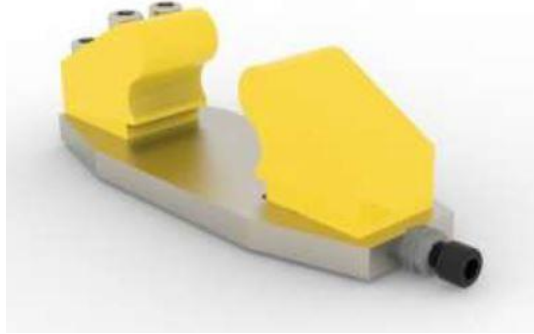


The Codiun Rail Slab Track Clamp

The Codiun Rail Slab Track Clamp has an innovative and unique design in that it consists of a supporting base plate that slides under the foot of the rail, where there is a limited clearance envelope.



The clamp consists of four constituent parts; Base Plate (1), Free Clamp Block (2), Fixed Clamp Block (3) and 5 x Socket Head Screws.

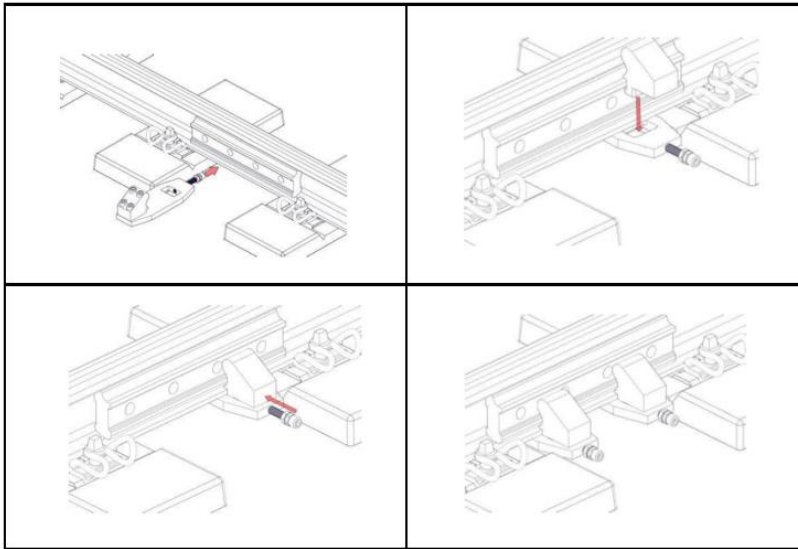


Codiun Innovation on the Move...

codiun
rail

Codiun Limited
Unit 1
Woodside Road
South Marston Park
Swindon
SN3 4WA
Phone: 02476 100987
Email: sales@codiun.com
Website: www.codiun.com

There are two blocks that affix to the base plate. The free floating block is then fastened by one screw to bring the blocks tight against the fishplate.



Part Numbers, Weights and Dimensions

Description	Part Number	Weight/ Dimensions
Fixed Clamp Assembly	CD-RC17-02-10	11.3 kg
Fixed Clamp Block	CD-RC17-02-100	2.9 kg/105 mm x 95 mm
Base Plate	CD-RC17-02-101	5.3 kg/220 mm x 120 mm x 20 mm
Free Clamp Block	CD-RC17-02-102	3.1 kg/105 mm x 95 mm
Socket Head Capscrew 12.9	CD-M16x60	
Socket Head Capscrew 12.9	CD-M16x80	
Socket Head Capscrew 12.9	CD-M16x90	

codiun
rail

***Codiun Innovation on the
Move...***

Codiun Limited
Unit 1
Woodside Road
South Marston Park
Swindon
SN3 4WA
Phone: 02476 100987
Email: sales@codiun.com
Website: www.codiun.com