

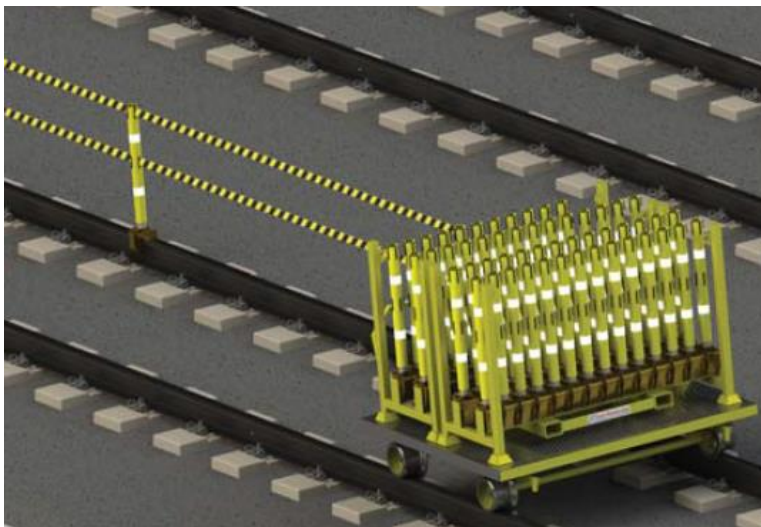
Codiun Rail Instant Barrier System



The new instant barrier system offers significant benefits in the demarcation of exclusion zones, walking routes, etc. The barrier system posts have a unique clamp which fits all types of running rail and can be fitted in under a second.

The retractable cloth tapes, which are on spring loaded reels within the post can be custom printed with logos and messages and the posts can also be supplied with twin reflective strips. A specially designed stillage carries and stores 28 posts. Stillages can be fork lifted and stacked. Each post is 5.9 Kg and the length of each tape is 3.6 metres.

A standard rail trolley can carry over 200m of barrier and this can be fully installed by one man in under 20 minutes!

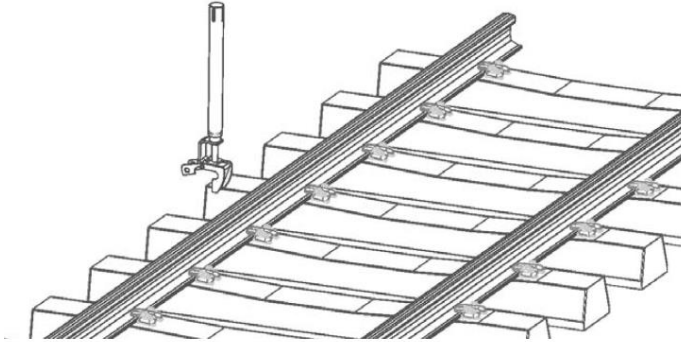


codiunrail

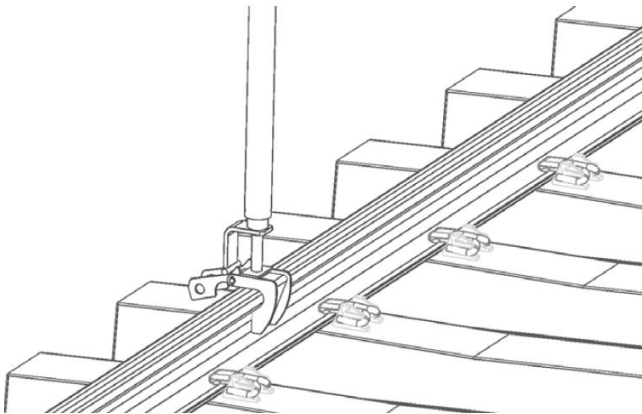
Codiun Limited
Unit 3
Woodside Road
South Marston Park
Swindon
SN3 4WA
Phone: +44 (0)2476 100987
Email: sales@codiun.com
Website: www.codiun.com

Fitting the Posts

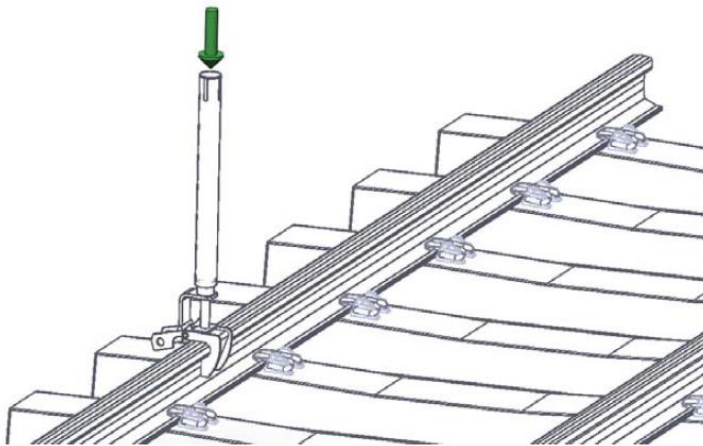
1. Hold the Post over the rail



2. Fit the Clamp over the rail head



3. Press down on top of the post to close and lock the clamp. The tapes can now be pulled out and clipped to the next post.



codiun
rail

Codiun Limited
Unit 3
Woodside Road
South Marston Park
Swindon
SN3 4WA
Phone: +44 (0)2476 100987
Email: sales@codiun.com
Website: www.codiun.com

Codiun Rail - Innovation on the Move